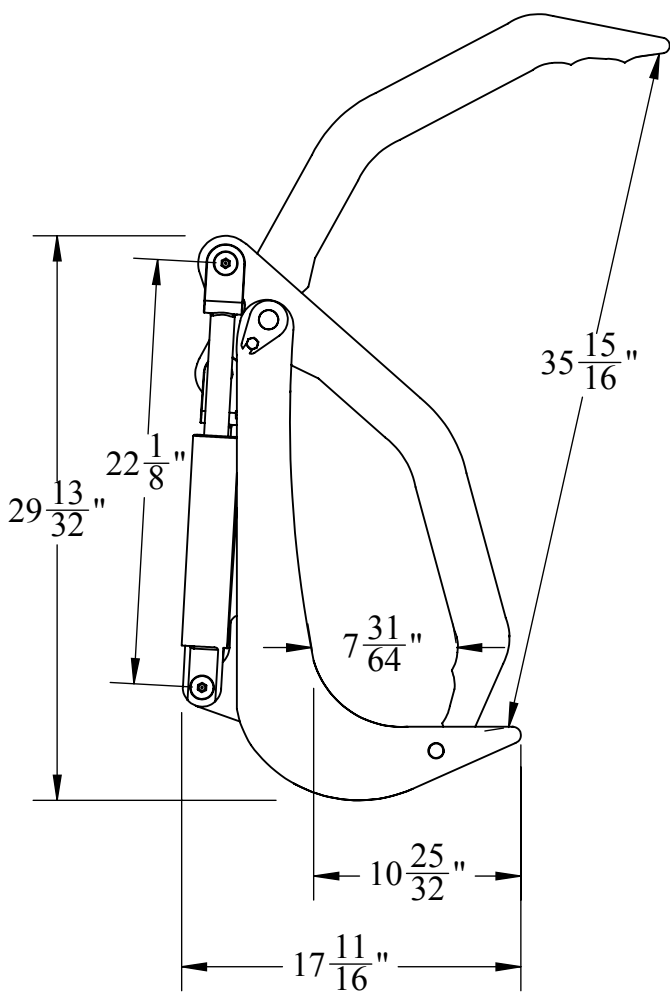


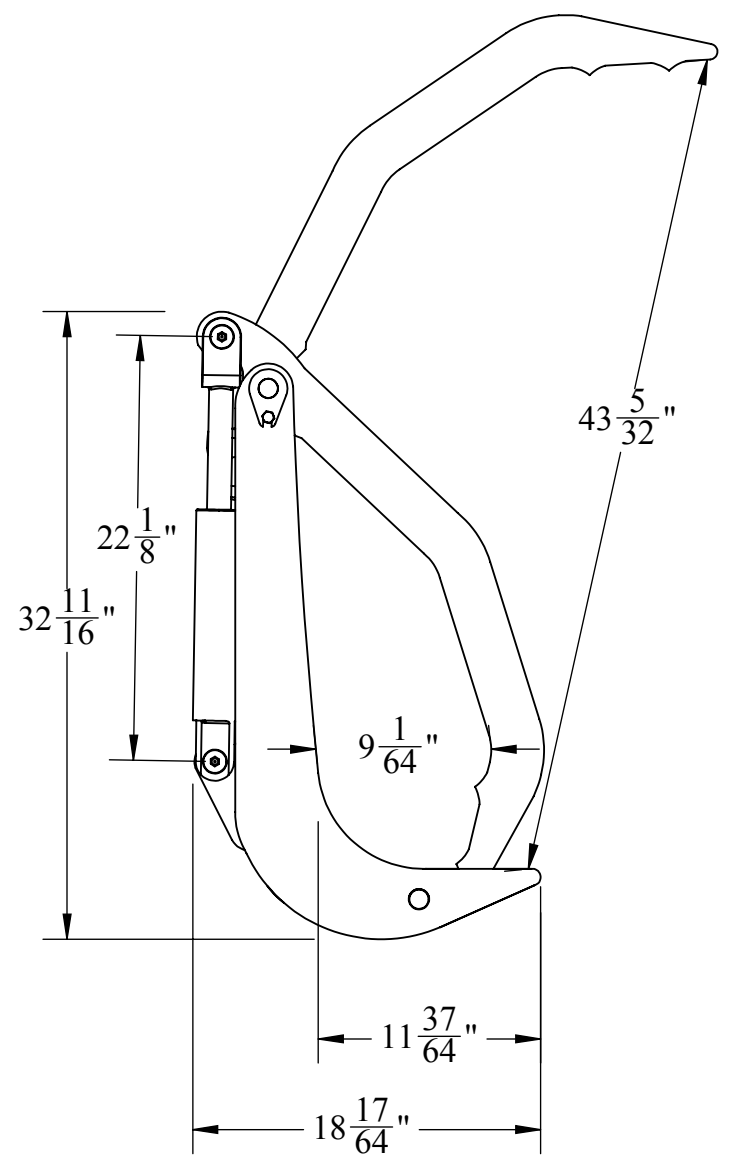
GRSC

GRSC Tine Thickness
 Rake:
 Outer: 1/4"
 Inner: 1/4"
 Grapple:
 Outer: 3/8"
 Inner: 1/4"



GR30 / GR45

GR30 Tine Thickness	GR45 Tine Thickness
Rake	Rake
Outer: 1/4"	Outer: 3/8"
Inner: 1/4"	Inner: 3/8"
Grapple:	Grapple:
Outer: 3/8"	Outer: 3/8"
Inner: 1/4"	Inner: 3/8"



GR60

GR60 Tine Thickness
 Rake:
 Outer: 1/2"
 Inner: 3/8"
 Grapple:
 Outer: 1/2"
 Inner: 3/8"



PROPRIETARY AND CONFIDENTIAL

THE INFORMATION CONTAINED IN THIS DRAWING IS THE SOLE PROPERTY OF ANBO MANUFACTURING. ANY REPRODUCTION IN PART OR AS A WHOLE WITHOUT THE WRITTEN PERMISSION OF ANBO MANUFACTURING IS PROHIBITED.

UNLESS OTHERWISE SPECIFIED:
 DIMENSIONS ARE IN INCHES
 TOLERANCES:
 FRACTIONAL ±
 TWO PLACE DECIMAL ±

MATERIAL: Steel

FINISH: Industrial Black Paint

DO NOT SCALE DRAWING

OLD SERIES:		
	NAME	DATE
DRAWN BY		
UPDATED BY		
ENG APPR.		
Q.A.		
COMMENTS:		

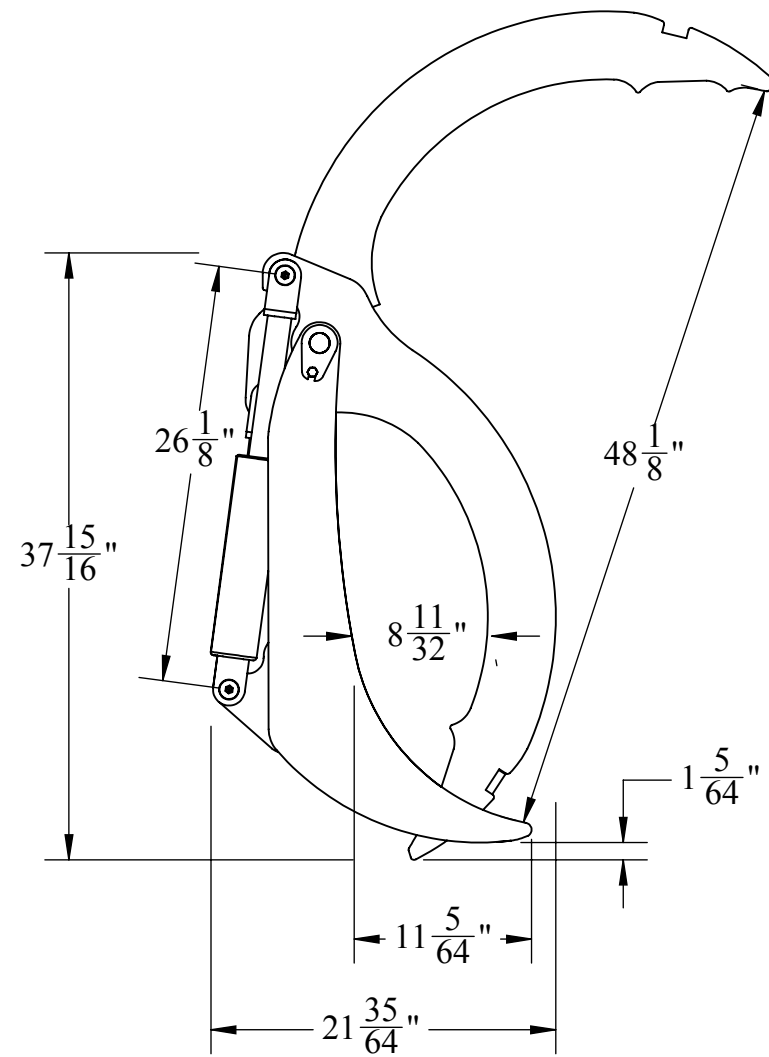
Company: ANBO Manufacturing		
TITLE: GR Series Open/Closed Comparisons		
SIZE B	DWG. GR Series Comparisons	REV
SCALE:1:10	WEIGHT:	SHEET 1 OF 4

D

C

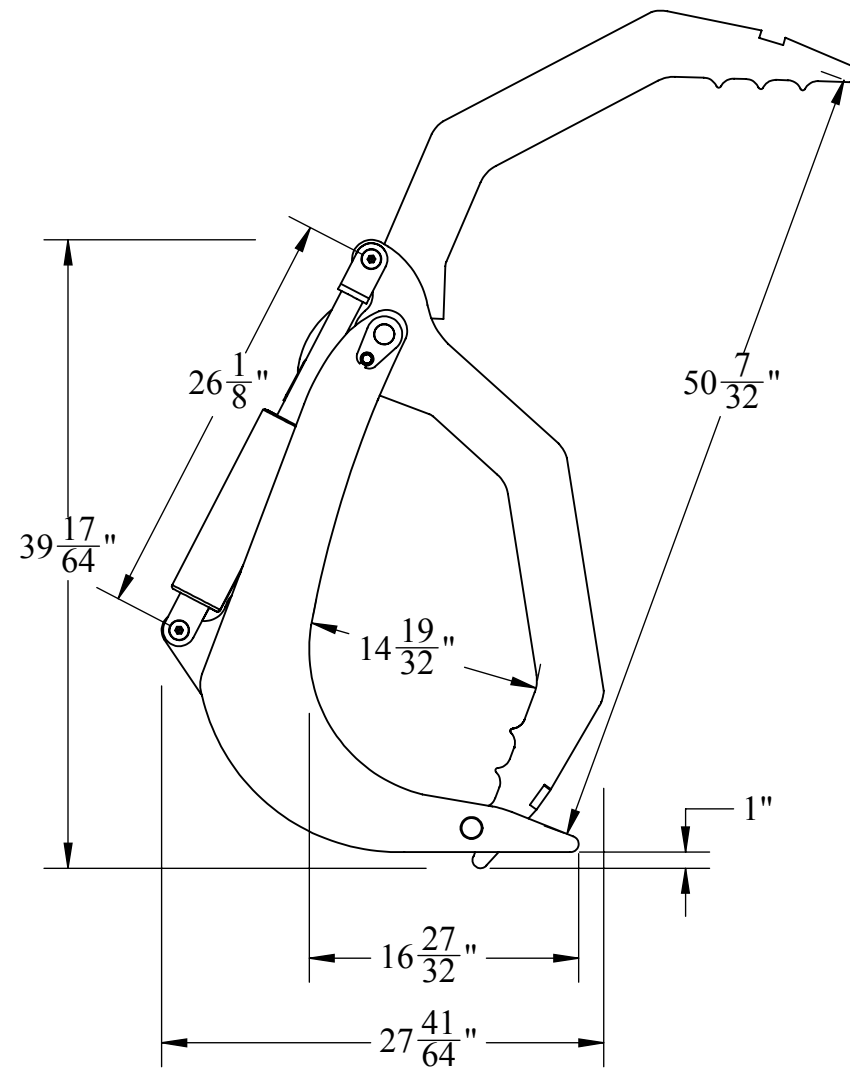
B

A



GR85 / GR120

GR85 Tine Thickness	GR120 Tine Thickness
Rake	Rake
Outer: 1/2"	Outer: 3/4"
Inner: 1/2"	Inner: 5/8"
Grapple:	Grapple:
Outer: 5/8"	Outer: 3/4"
Inner: 1/2"	Inner: 5/8"



GR85HC / GR120HC

GR85HC Tine Thickness	GR120HC Tine Thickness
Rake	Rake
Outer: 1/2"	Outer: 3/4"
Inner: 1/2"	Inner: 5/8"
Grapple:	Grapple:
Outer: 5/8"	Outer: 3/4"
Inner: 1/2"	Inner: 5/8"



PROPRIETARY AND CONFIDENTIAL

THE INFORMATION CONTAINED IN THIS DRAWING IS THE SOLE PROPERTY OF ANBO MANUFACTURING. ANY REPRODUCTION IN PART OR AS A WHOLE WITHOUT THE WRITTEN PERMISSION OF ANBO MANUFACTURING IS PROHIBITED.

UNLESS OTHERWISE SPECIFIED:

DIMENSIONS ARE IN INCHES
TOLERANCES:
FRACTIONAL ±
TWO PLACE DECIMAL ±

MATERIAL:

Steel

FINISH:

Industrial Black Paint

DO NOT SCALE DRAWING

OLD SERIES:

	NAME	DATE
DRAWN BY		
UPDATED BY		
ENG APPR.		
Q.A.		

COMMENTS:

Company:

ANBO Manufacturing

TITLE:

GR Series
Open/Closed Comparisons

SIZE

B

DWG.

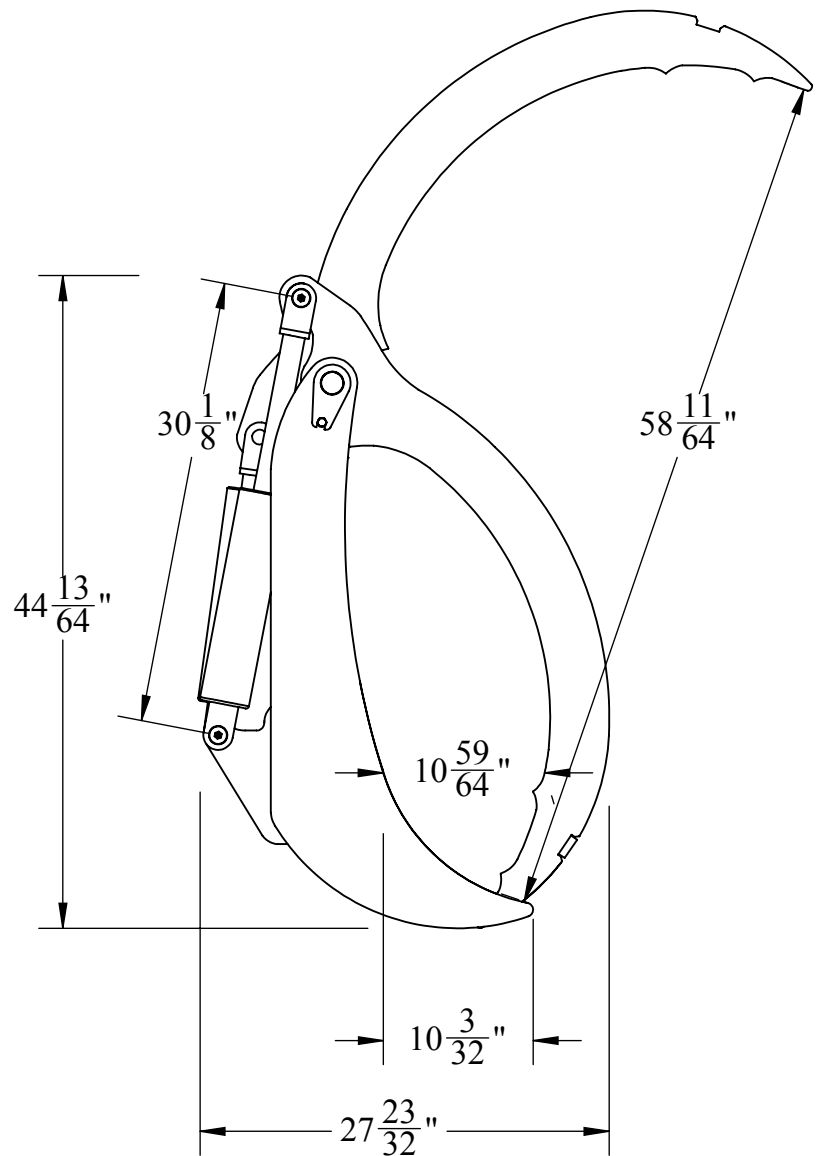
GR Series Comparisons

REV

SCALE:1:12

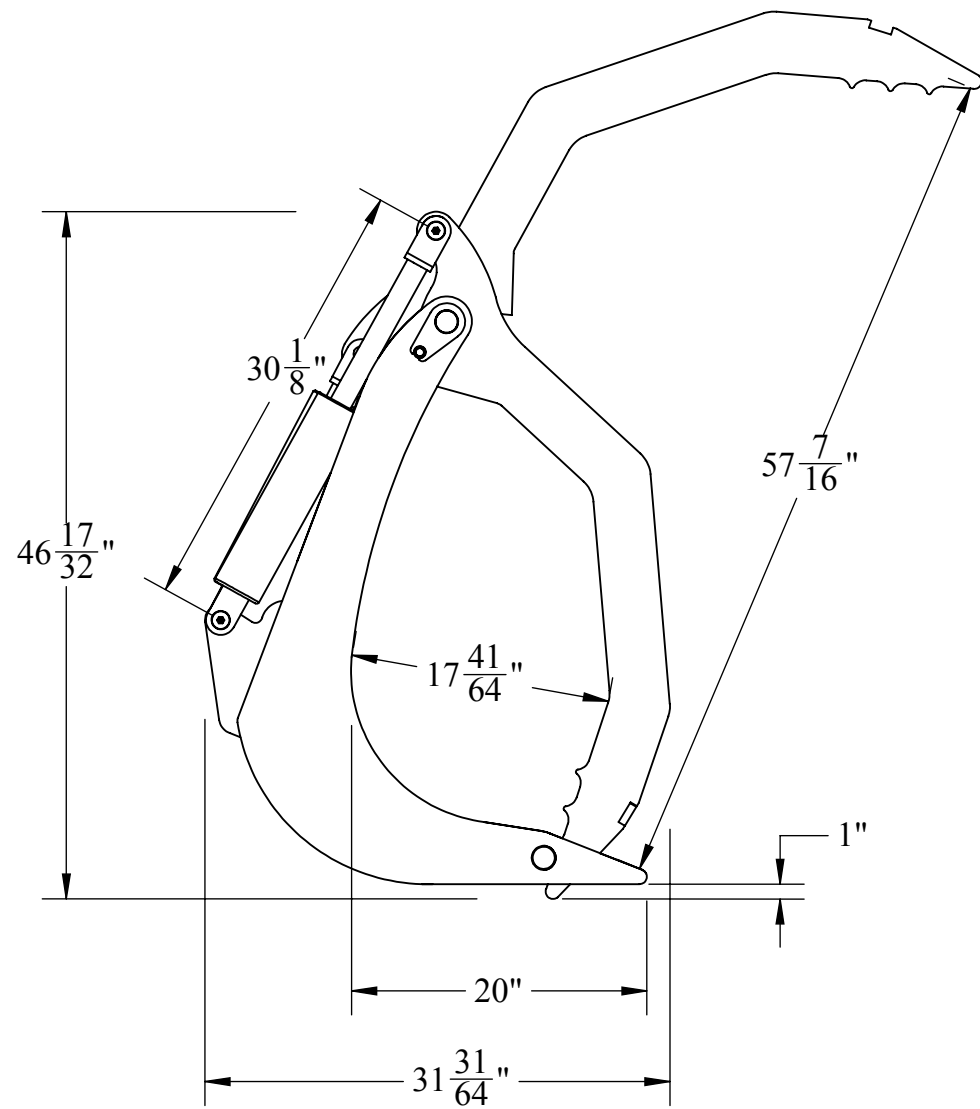
WEIGHT:

SHEET 2 OF 4



GR160 / GR200

GR160 Tine Thickness	GR200 Tine Thickness
Rake:	Rake:
Outer: 3/4"	Outer: 1"
Inner: 5/8"	Inner: 1"
Grapple:	Grapple:
Outer: 3/4"	Outer: 1"
Inner: 5/8"	Inner: 1"



GR160HC / GR200HC

GR160HC Tine Thickness	GR200HC Tine Thickness
Rake:	Rake:
Outer: 3/4"	Outer: 1"
Inner: 5/8"	Inner: 1"
Grapple:	Grapple:
Outer: 3/4"	Outer: 1"
Inner: 5/8"	Inner: 1"



PROPRIETARY AND CONFIDENTIAL

THE INFORMATION CONTAINED IN THIS DRAWING IS THE SOLE PROPERTY OF ANBO MANUFACTURING. ANY REPRODUCTION IN PART OR AS A WHOLE WITHOUT THE WRITTEN PERMISSION OF ANBO MANUFACTURING IS PROHIBITED.

UNLESS OTHERWISE SPECIFIED:

DIMENSIONS ARE IN INCHES
TOLERANCES:
FRACTIONAL ±
TWO PLACE DECIMAL ±

MATERIAL:

Steel

FINISH:

Industrial Black Paint

DO NOT SCALE DRAWING

OLD SERIES:

	NAME	DATE
--	------	------

DRAWN BY		
----------	--	--

UPDATED BY		
------------	--	--

ENG APPR.		
-----------	--	--

Q.A.		
------	--	--

COMMENTS:

Company:

ANBO Manufacturing

TITLE:

GR Series
Open/Closed Comparisons

SIZE

B

DWG.

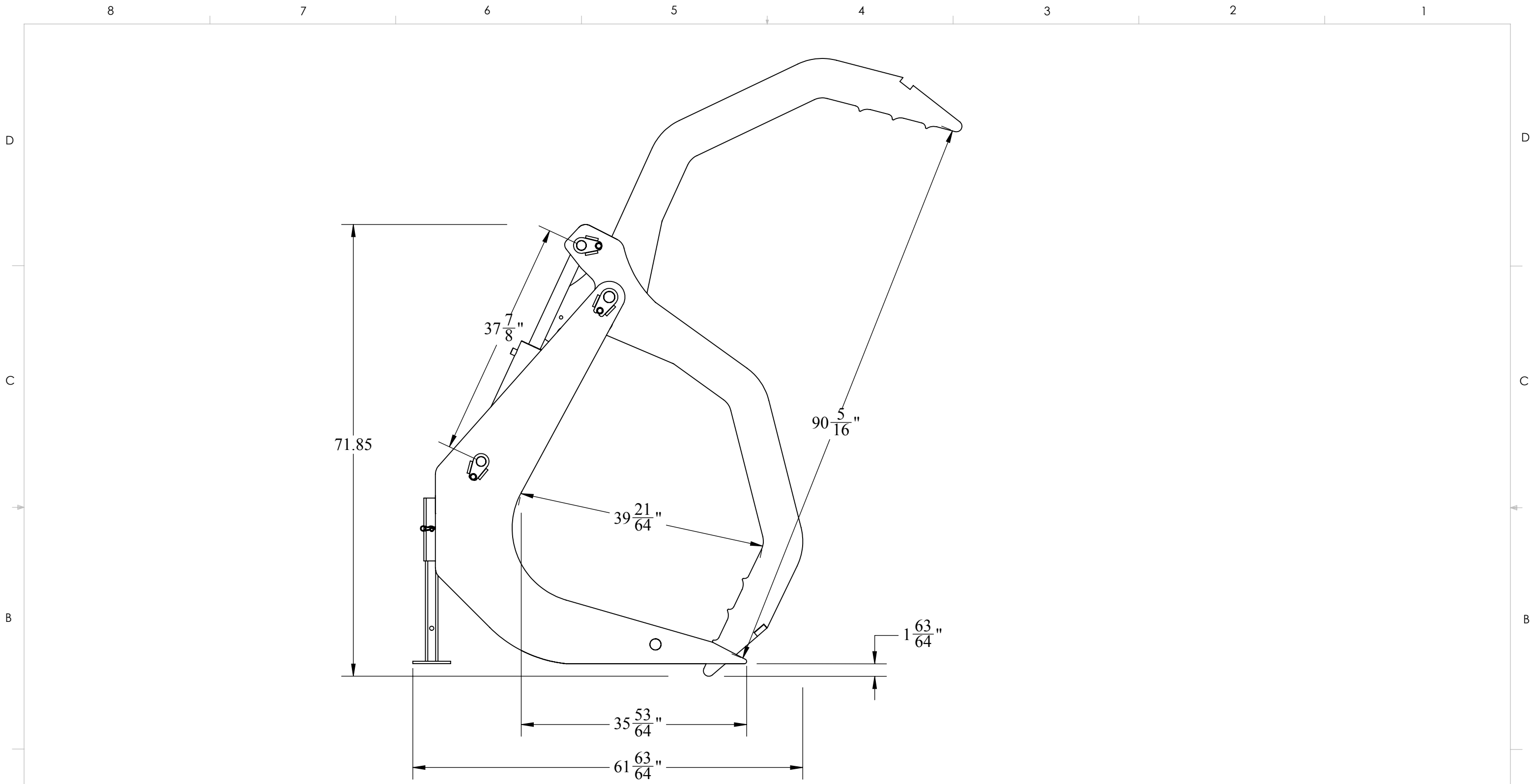
GR Series Comparisons

REV

SCALE:1:13

WEIGHT:

SHEET 3 OF 4



GR300

- Tine Thickness
- Rake
 - Outer: 1-1/4"
 - Inner: 1"
- Grapple:
 - Outer: 1-1/4"
 - Inner: 1"



PROPRIETARY AND CONFIDENTIAL

THE INFORMATION CONTAINED IN THIS DRAWING IS THE SOLE PROPERTY OF ANBO MANUFACTURING. ANY REPRODUCTION IN PART OR AS A WHOLE WITHOUT THE WRITTEN PERMISSION OF ANBO MANUFACTURING IS PROHIBITED.

UNLESS OTHERWISE SPECIFIED:

DIMENSIONS ARE IN INCHES
TOLERANCES:
FRACTIONAL ±
TWO PLACE DECIMAL ±

MATERIAL: Steel

FINISH:
Industrial Black Paint

DO NOT SCALE DRAWING

OLD SERIES:

	NAME	DATE
DRAWN BY		
UPDATED BY		
ENG APPR.		
Q.A.		

COMMENTS:

Company: **ANBO Manufacturing**

TITLE:
**GR Series
Open/Closed Comparisons**

SIZE	DWG.	REV
B	GR Series Comparisons	

SCALE: 1:15 WEIGHT: SHEET 4 OF 4